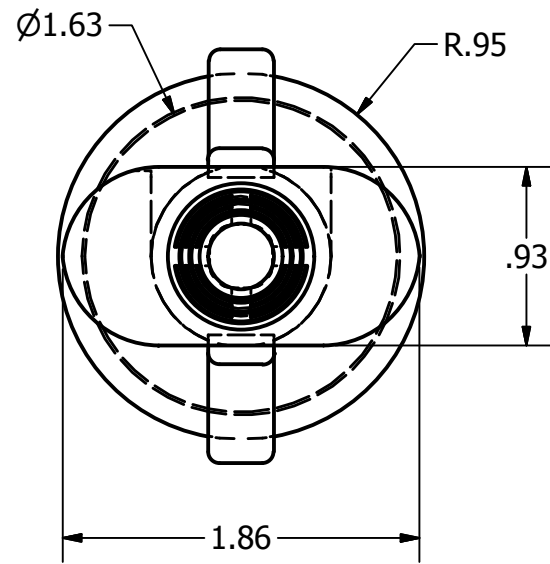
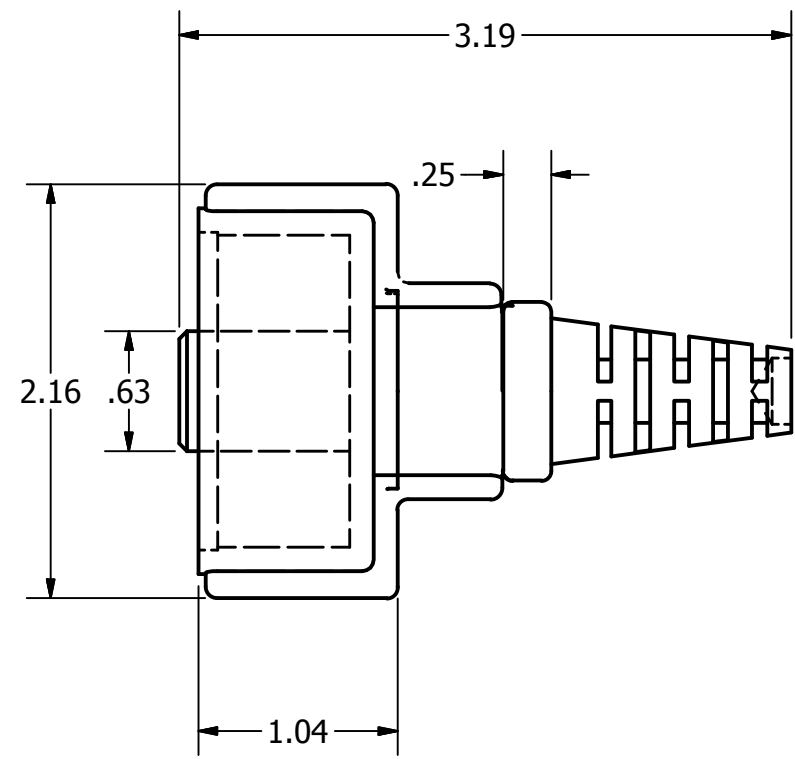


## 2 MODELS:

PART#	RATING	DESCRIPTION	CABLE DIA.	WT.
GEISLV-LC10	35 AMP	10 FT X 10 AWG	.437"	1.71 LBS
GEISLV-LC14	20 AMP	15 FT X 14 AWG	.328"	1.40 LBS



UNLESS OTHERWISE SPECIFIED DIMENSIONS ARE IN INCHES. TOLERANCES ARE:

.X	+/- .06	ANGLES
.XX	+/- .030	+/- .5 DEGREES
.XXX	+/- .010	

DO NOT SCALE DRAWING - REPORT ERRORS

THIS DRAWING AND ALL INFORMATION CONTAINED THERON IS PART OF THE PROPRIETARY DESIGN OWNED BY GRAYWACKE ENGINEERING INC. IT IS FURNISHED FOR CONFIDENTIAL PURPOSES ONLY AND IS NOT TO BE DISCLOSED TO OTHERS OR REPRODUCED IN WHOLE OR IN PART WITHOUT THE EXPRESSED WRITTEN CONENT OF GRAYWACKE ENGINEERING.

<b>MATERIAL:</b>		<b>FINISH: BLACK</b>		
DRAWN Ken Dunham	8/18/2010	<b>GRAYWACKE ENGINEERING INC.</b> 120 INDUSTRIAL DRIVE LEXINGTON, OHIO 44904		
CHECKED		TITLE		
QA		MINI NATO - LC 10 & LC14		
MFG		SIZE	DWG NO	REV
APPROVED		C	GEI-SLV- LC10 OR LC14	A
		SCALE	SHEET 1 OF 1	