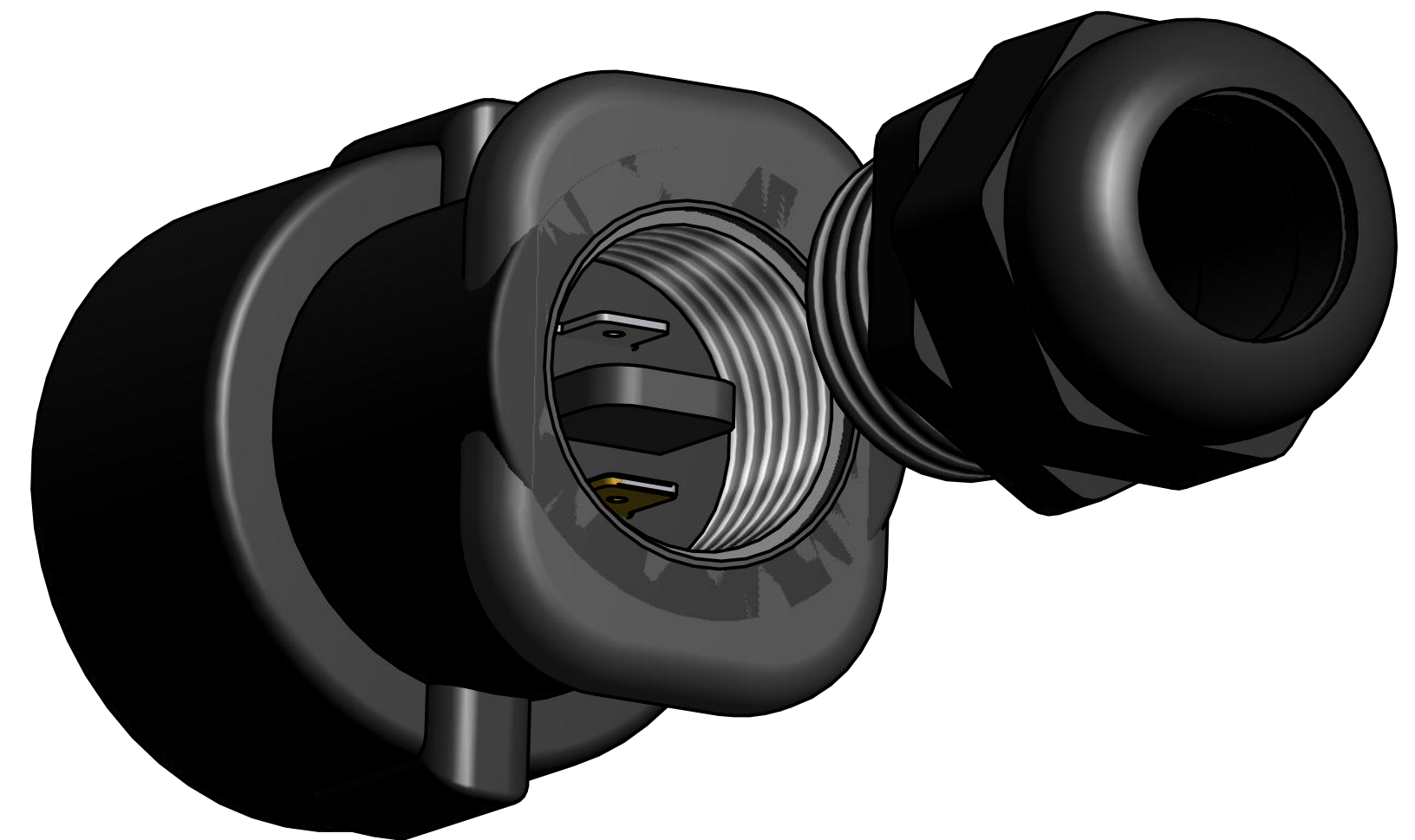
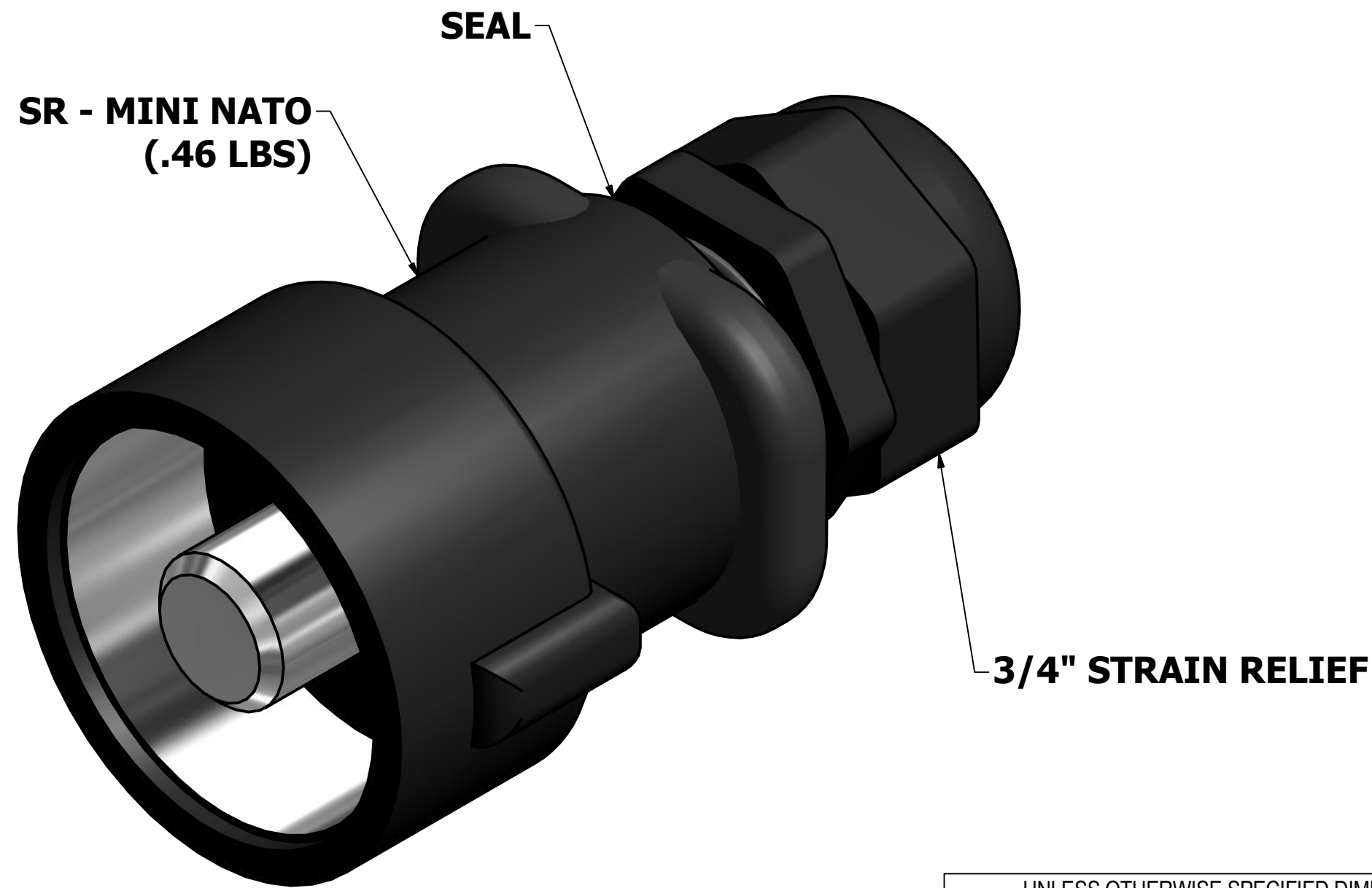


NOTE: SR - Mini Nato - Will accept 20 Ga. to 10 Ga. 2 conductor cable.



UNLESS OTHERWISE SPECIFIED DIMENSIONS ARE IN INCHES. TOLERANCES ARE:

.X	+/- .06	ANGLES
.XX	+/- .030	+/- .5 DEGREES
.XXX	+/- .010	

DO NOT SCALE DRAWING - REPORT ERRORS

THIS DRAWING AND ALL INFORMATION CONTAINED THERON IS PART OF THE PROPRIETARY DESIGN OWNED BY GRAYWACKE ENGINEERING INC. IT IS FURNISHED FOR CONFIDENTIAL PURPOSES ONLY AND IS NOT TO BE DISCLOSED TO OTHERS OR REPRODUCED IN WHOLE OR IN PART WITHOUT THE EXPRESSED WRITTEN CONENT OF GRAYWACKE ENGINEERING.

MATERIAL:		FINISH:	
DRAWN Ken Dunham	7/26/2010	GRAYWACKE ENGINEERING INC. 120 INDUSTRIAL DRIVE LEXINGTON, OHIO 44904	
CHECKED			
QA		TITLE	
MFG		SR- MINI NATO	
APPROVED		SIZE C	DWG NO GEI-SLV-SR
		SCALE	REV A
		SHEET 1 OF 1	