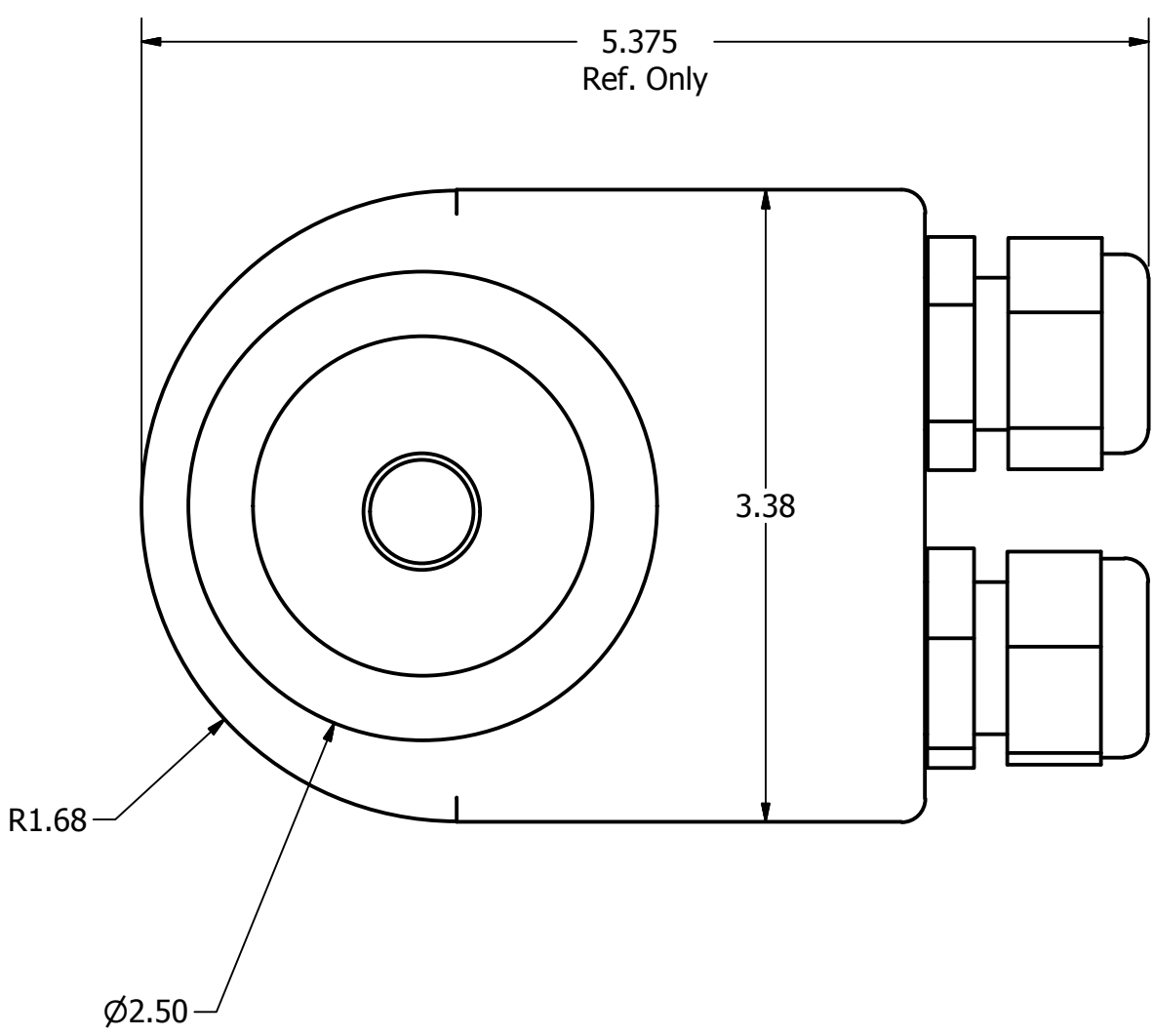
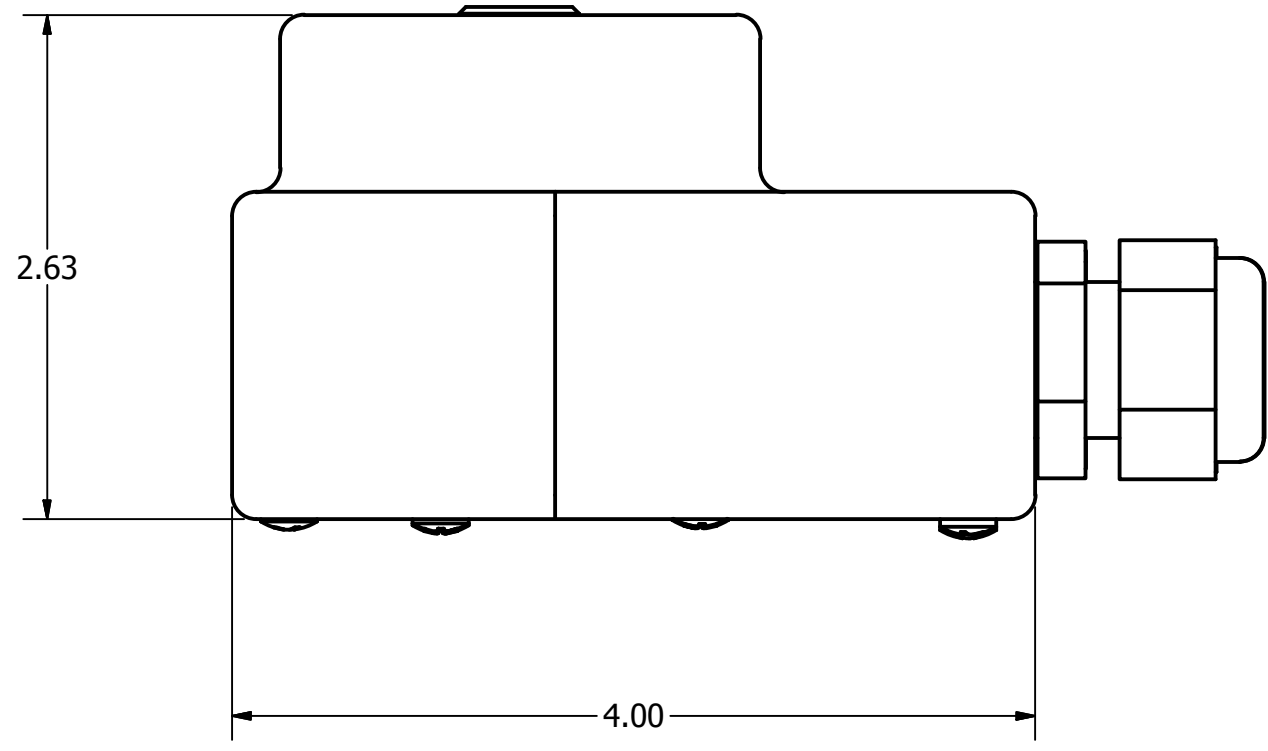


WT. 1.31 LBS



UNLESS OTHERWISE SPECIFIED DIMENSIONS ARE IN INCHES. TOLERANCES ARE:

.X	+/- .06	ANGLES
.XX	+/- .030	+/- .5 DEGREES
.XXX	+/- .010	

DO NOT SCALE DRAWING - REPORT ERRORS

THIS DRAWING AND ALL INFORMATION CONTAINED THERON IS PART OF THE PROPRIETARY DESIGN OWNED BY GRAYWACKE ENGINEERING INC. IT IS FURNISHED FOR CONFIDENTIAL PURPOSES ONLY AND IS NOT TO BE DISCLOSED TO OTHERS OR REPRODUCED IN WHOLE OR IN PART WITHOUT THE EXPRESSED WRITTEN CONENT OF GRAYWACKE ENGINEERING.

MATERIAL:		FINISH: Black	
DRAWN Ken Dunham	7/8/2010	GRAYWACKE ENGINEERING INC. 120 INDUSTRIAL DRIVE LEXINGTON, OHIO 44904	
CHECKED		TITLE	
QA		MINI NATO PLUG ASSEMBLY	
MFG		SIZE C	DWG NO NATO PLUG ASSEMBLY
APPROVED		SCALE	REV A
		SHEET 1 OF 1	