

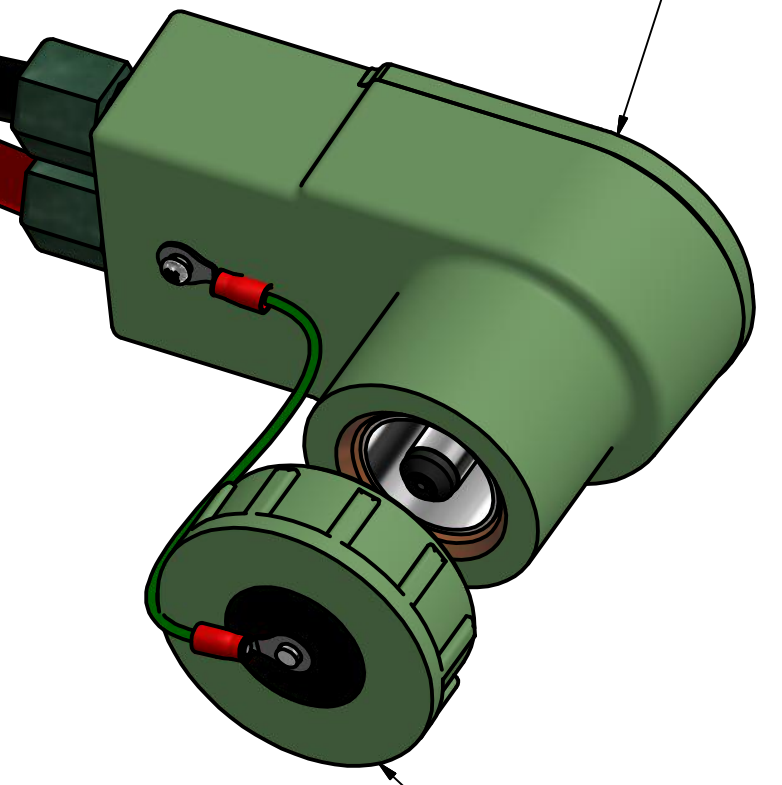
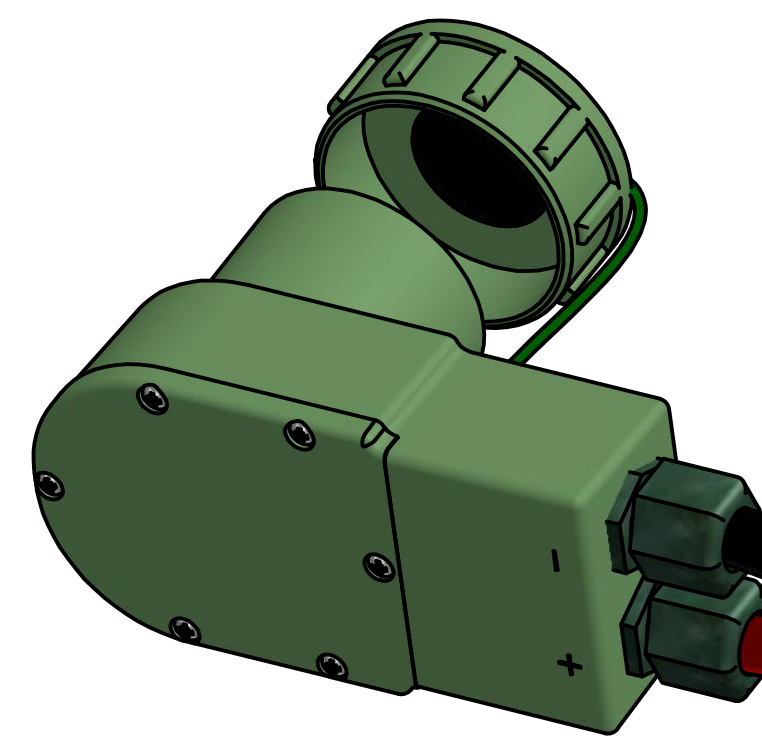
4 3 2 1

D  
C  
B  
A

D  
C  
B  
A

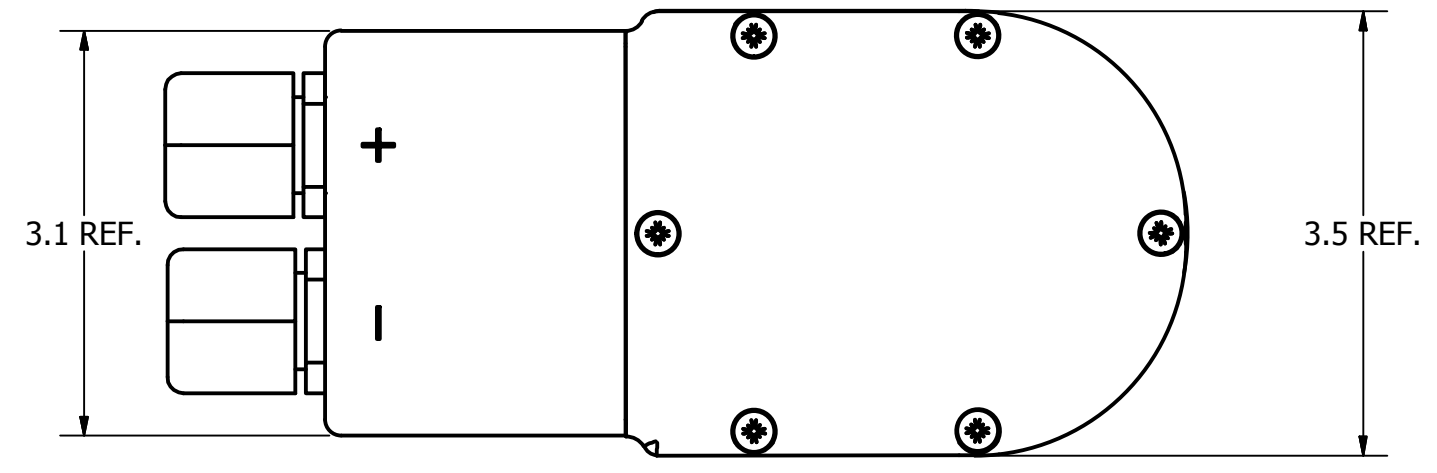
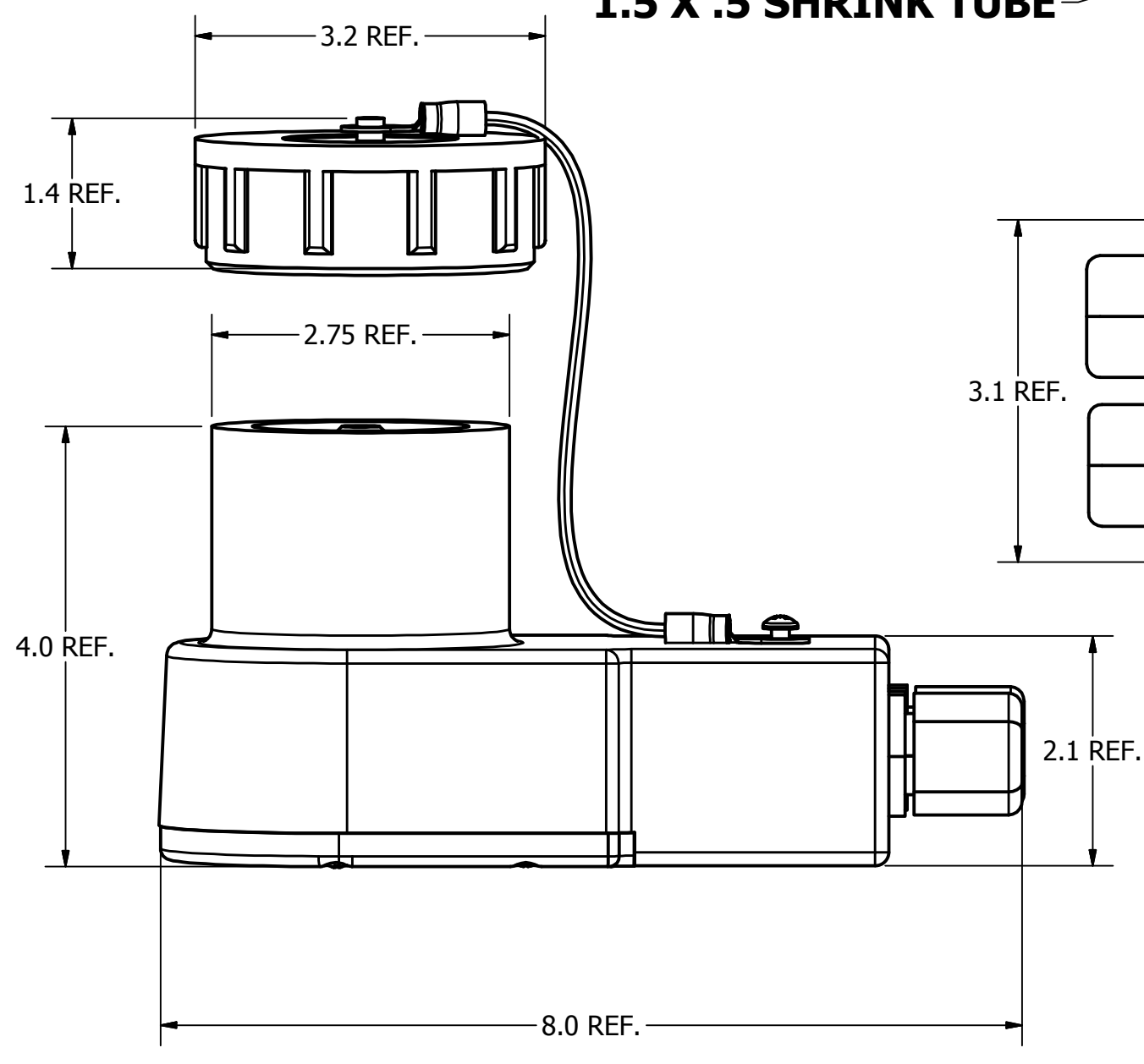
**2/0 BONDED CABLE  
( 20 FT.)**

**GATEWAY CABLE CO.  
NATO PLUG  
24 VDC 500 AMP  
MPN 19207-11682338  
MFR- 61090 P/N TGC 2338**



**1.5 X .5 SHRINK TUBE**

**GATEWAY CABLE CO.  
DUST COVER  
19207-123142225  
61090**



**DIMENSIONS REFERENCE ONLY.**

UNLESS OTHERWISE SPECIFIED DIMENSIONS ARE IN INCHES. TOLERANCES ARE:

.X	+/- .06	ANGLES
.XX	+/- .030	+/- .5 DEGREES
.XXX	+/- .010	

DO NOT SCALE DRAWING - REPORT ERRORS

THIS DRAWING AND ALL INFORMATION CONTAINED THEREON IS PART OF THE PROPRIETARY DESIGN OWNED BY GRAYWACKE ENGINEERING INC. IT IS FURNISHED FOR CONFIDENTIAL PURPOSES ONLY AND IS NOT TO BE DISCLOSED TO OTHERS OR REPRODUCED IN WHOLE OR IN PART WITHOUT THE EXPRESSED WRITTEN CONENT OF GRAYWACKE ENGINEERING.

<b>MATERIAL:</b>		<b>FINISH:</b>	
DRAWN Ken Dunham CHECKED	2/4/2011	<b>GRAYWACKE ENGINEERING INC.</b> 120 INDUSTRIAL DRIVE LEXINGTON, OHIO 44904	
QA		TITLE	
MFG		SLV- 20 SLAVE CABLE	
APPROVED		SIZE C	DWG NO SLV-20
		SCALE	REV A
		SHEET 1 OF 1	

4 3 2 1